

Floor Wastes

warmtech
underfloor heating

Product Information

Pattern: Mesh, Rectangle, Square & Tile insert

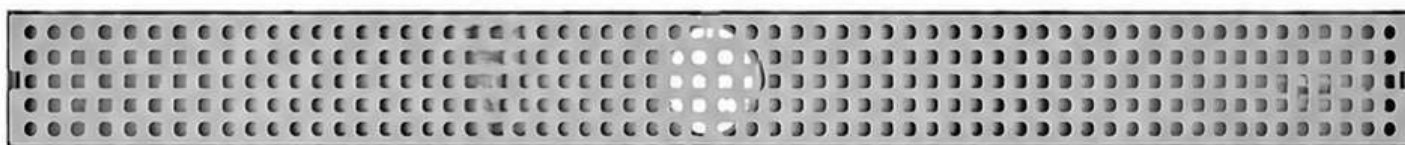
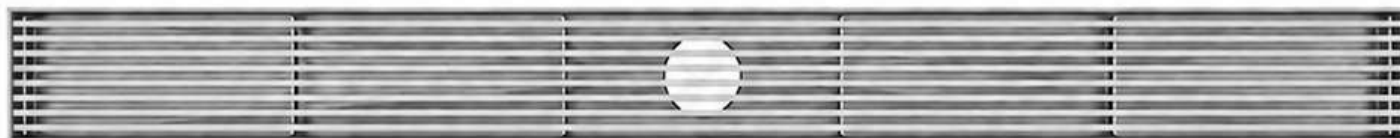
Dimensions: 800x69x21, 900x69x21, 1000x69x21, 1200x69x21

Finish: stainless steel

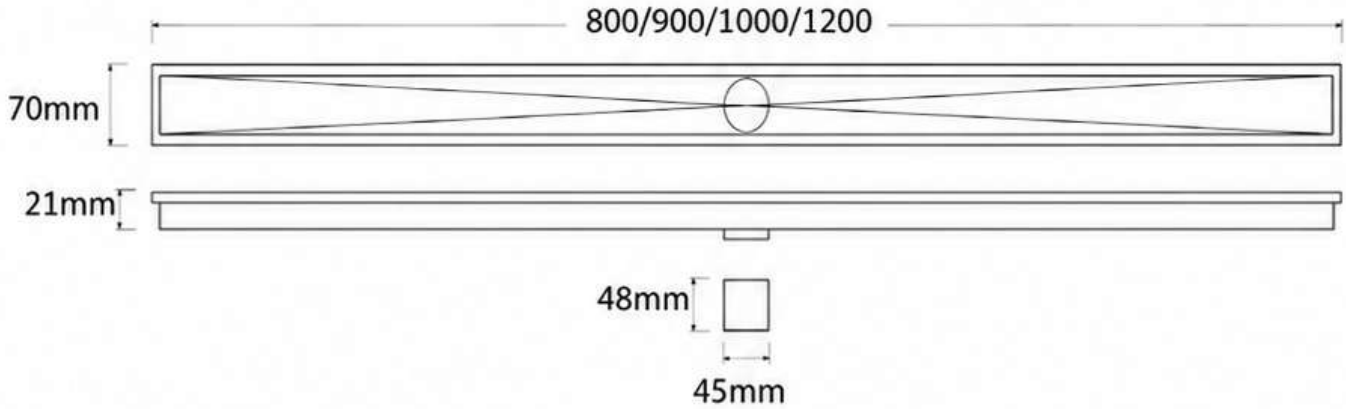
Features: centre outlet only, 316 grade marine stainless steel,

Watermark Certified – Certificate No. WT23027

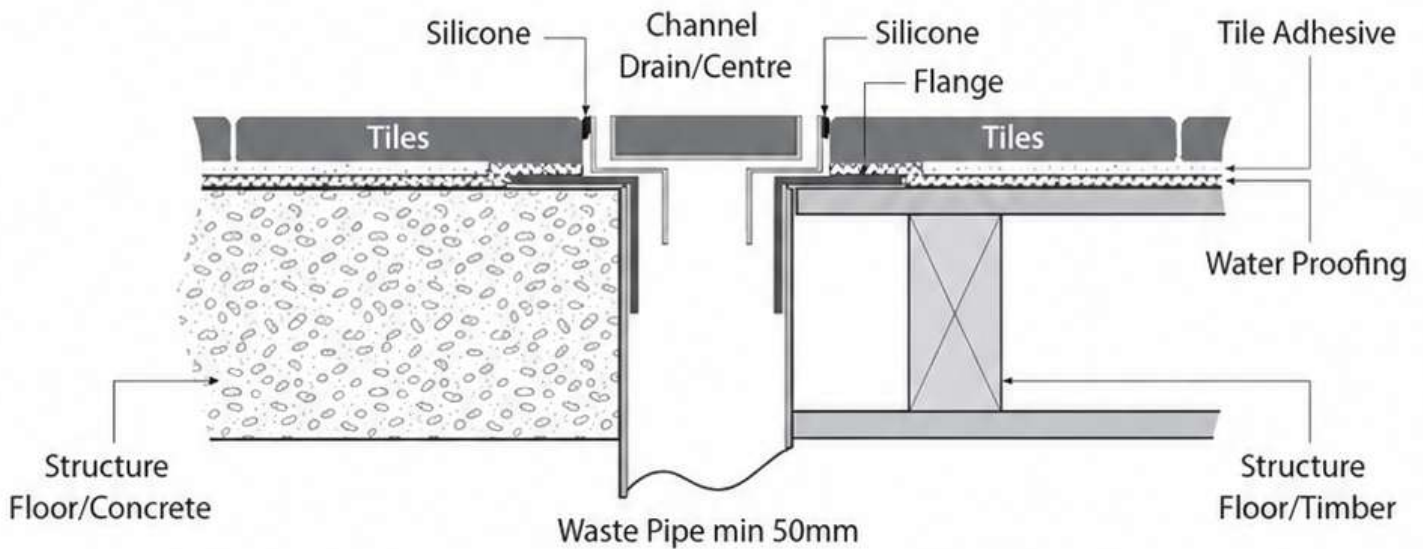
Warranty: 5-Year warranty on All.



Technical Diagrams for 70mm wastes

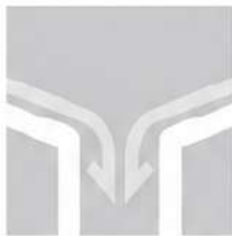


Installation Diagram

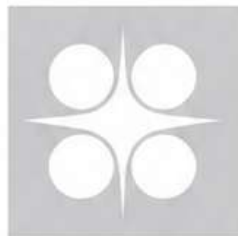


Care instructions

- The grate must be protected from scratching during the installation process by wrapping in newspaper.
- The consumer should only use qualified tradesmen to install the floor wastes who must install and lay the floor bed so it slopes to the grate prior to tiling.
- No acid or acid type product is to be used when cleaning.
- If the floor requires acid cleaning it must be neutralised off waste within one minute.



Superior fall /
Centre outlet



Stainless Steel



WaterMark
Cert 23027



1300 138 126



www.warmtech.com.au



info@warmtech.com.au

