

Installation Instructions Round / Square Models

WARNING

Please read these instructions carefully. **Warmtech Heating Systems** cannot be held responsible if the installation and use of the towel rail is not carried out in accordance with the instructions given below or for materials not supplied by **Warmtech Heating Systems**.

ELECTRICAL CONNECTIONS

The towel rail must be wired by a registered electrician. An isolating switch must be positioned near the towel rail. If the supply cord is damaged the entire towel rail must be returned to **Warmtech Heating Systems**.

PLEASE NOTE

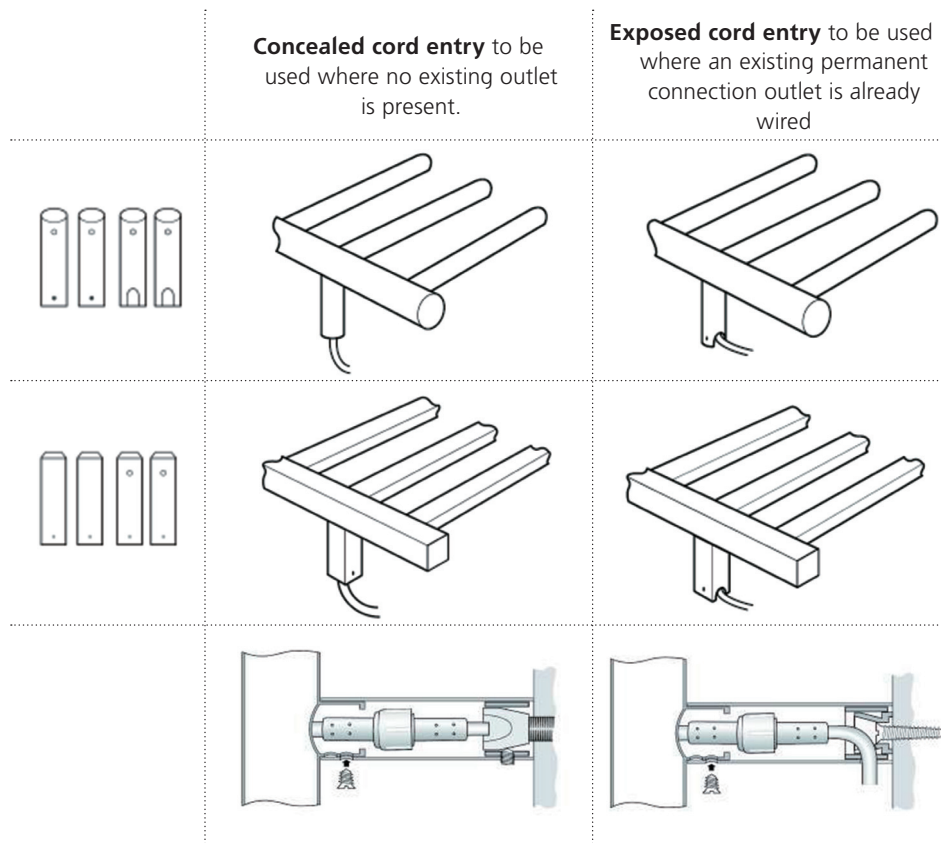
This appliance must be installed as prescribed by the relevant wiring rules and regulations, including the regulations covering installation of appliances and accessories in 'wet areas' such as bathrooms, showers and laundries. Installations should be in accordance with AS/NZS 3000:2007.

- This class 1 appliance requires an earth connection.
- An accessible all pole disconnection switch is required in the fixed wiring.

The heated towel rail should be mounted vertically with the cord exiting from the base; it should be positioned at least 600mm above the floor.

RECOMMENDED MOUNTING PROCEDURES

- 1 Select the method of cord entry required - whether exposed or concealed.

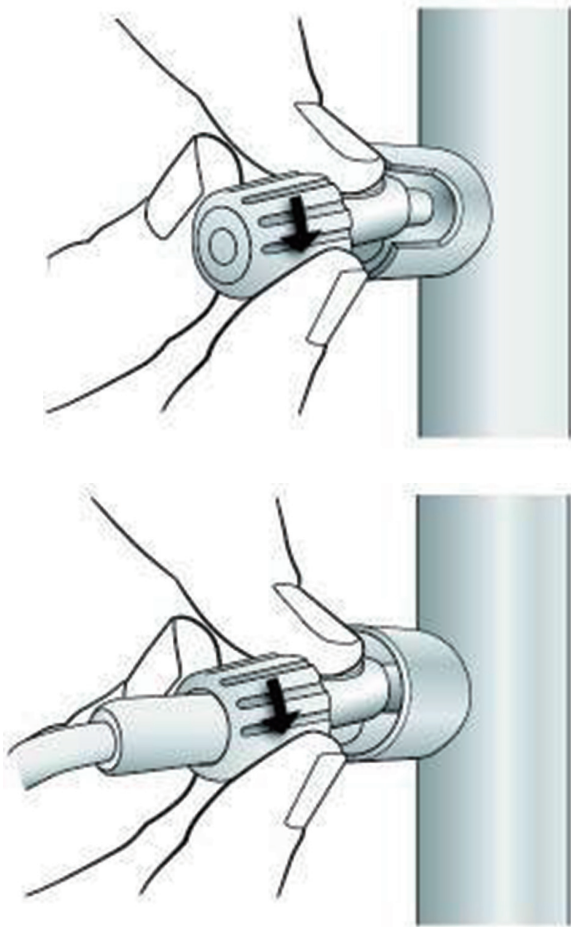


Installation Instructions CONTINUED

Round / Square Models

RECOMMENDED MOUNTING PROCEDURES CONT.

2 Select which side of the towel rail needs to be wired in. Depending on the location of existing wiring through or on the wall you can decide which side you will use.



3 Select a desired position to mount the towel rail i.e. at least 600mm above the floor and 300mm away from all permanent objects in the surrounding area.

4 Using a pencil, draw around the end of each tube to mark their positions on the wall ensuring that the rail is square on the wall.

5 Screw the mounting inserts securely to the wall at the locations marked.

6 Press the towel rail onto the mounting inserts gradually, checking that each leg is lined up with the mounting inserts before applying force.

7 Mount the towel rail with a single grub screw on each of the 4 brackets as shown in the drawing.

SAFETY INFORMATION

As with any electrical appliance, you should be aware of basic safety precautions when using this heated towel rail. Please read these instructions, and file them for future reference:

- Because this appliance gets hot, young children and infirm people should be closely supervised when nearby.
Do not let young children treat the towel rail as a toy.
- Special purpose tools are required for the replacement of the power supply cord and element.
- Be aware that the towel rail will get slightly hotter than normal during warmer weather and when insulated by towels.
- The rail should NOT be used for anything other than its intended use.
- Do not put the towels or anything else which has been in contact with hazardous liquids on this towel rail.
- Use this appliance only on the voltage specified on the rating label.
- Electrical work to be performed by a registered electrician.
- Do NOT immerse the towel rail in any liquid.
- Make sure the supply cord never touches heated surfaces.
- Ensure that the towel rail is wiped down from time to time with a damp cloth and a stainless steel cleaner. Do not use any abrasives or corrosive cleaners.
- If the electrical cord or connection is damaged DO NOT attempt to repair; please contact the supplier.

WARNING

In order to avoid a hazard for very young children, this appliance should be installed so that the heated rail is at least 600mm above the floor. Do not overload the transformer provided.