

# Product Specification Sheet

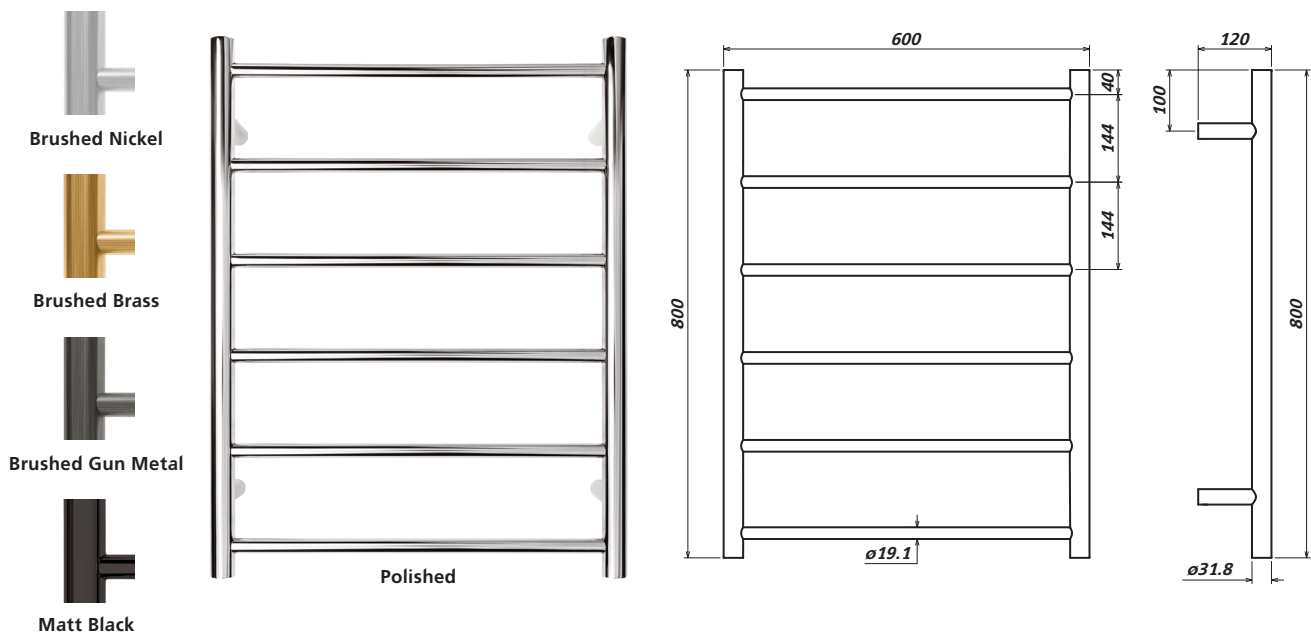
## Warmtech 6 Bar HTR – Round

Product finish / code **Polished** HTR6POL / **Brushed Nickel** HTR6BNICKEL / **PVD Brushed Brass** HTR6BRBRASS / **PVD Brushed Gun Metal** HTR6GUNMETAL / **Matt Black** HTR6MBLACK

Dimensions **600 (w) x 800 (h) x 120 (d) mm**

### FEATURES

- 6 bars
- Available in 5 colours / finishes
- Left and right hand cable options
- Double insulated heating element and Class 1 fully earthed
- High grade stainless steel
- Easily installed into new or existing homes
- Fixing kit includes diamond drill bit



### ADDITIONAL INFORMATION

- 65 watts
- 230-240 Volts, 50Hz single phase
- Lifetime replacement warranty
- Ingress Protection Rating: IP34 – Splash proof
- This rail should be mounted vertically with the cord exiting from the base
- It should be positioned at least 600mm above the floor
- Class 1 appliance – requires an earth connection



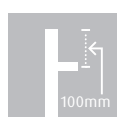
Guaranteed against manufacturing defects



Ingress protection rating



High grade Stainless Steel



Legs are at 100mm vertical centres from top & bottom



Concealed cable kit additional



Fixing accessories included



Note: Manufacturing tolerances could cause variances of  $\pm 5$ mm.